

Handrail Bracket - Sierra

Product Code: HBCFS

HBCFS handrail bracket flat flange

Saddles to fit flat and curved tube

AISI 304 and 316 stainless steel options

Manufactured to high quality specifications

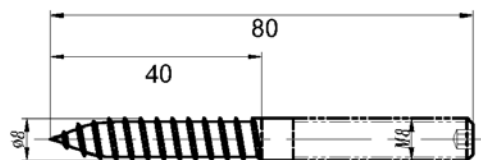
Available in satin and mirror finish

This handrail bracket complies with BIA acceptable solutions D1/AS1

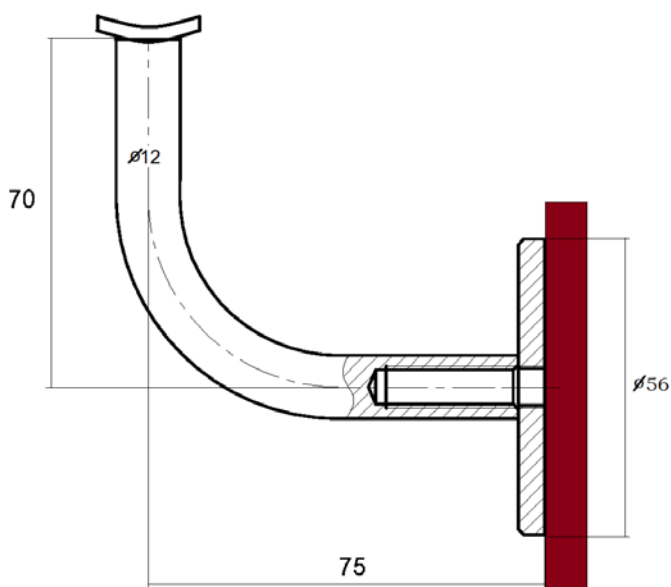


HBCFS Handrail Bracket

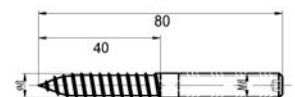
- Base plate machined from 5mm thick stainless steel
- A single 8mm lag screw concealed fixing
- 12mm diameter rod
- Recommended spacing maximum 1000mm



M8 80mm lag screw supplied



Also available as weld on



M8 80mm lag screw supplied

