



Handrail Bracket - Basso Glaze  
Product Code: HBG40S

HBG40S handrail bracket for glass

Weld on or with saddles

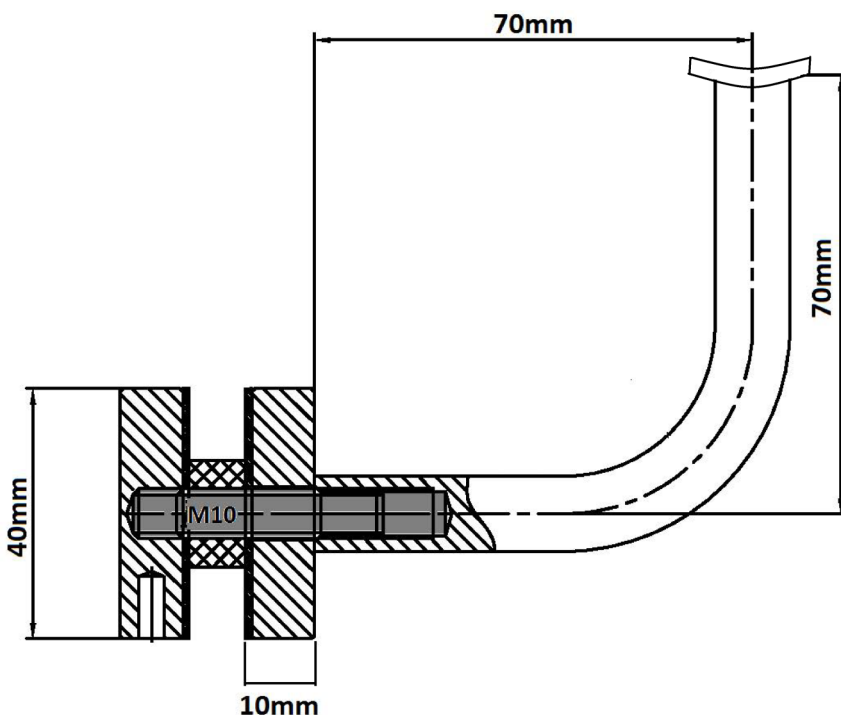
AISI 316 grade stainless steel Manufactured  
to high quality specifications

Available in satin and mirror finish

This handrail bracket complies with BIA  
acceptable solutions D1/AS1

**HBG40S Handrail Bracket for glass**

- 40mm diameter bases 10mm thick
- Solid construction
- Bushes and washers included
- 12mm diameter rod upright
- Weld on or saddles available
- Recommended spacing maximum 1000mm



Also available in weld on

