

Handrail Bracket - Modena Pico  
Product Code: HBR20WS

HBR20WS handrail bracket

Weld on or saddles available

8mm lag screw supplied

AISI 304 & 316 stainless steel

Manufactured to the highest quality

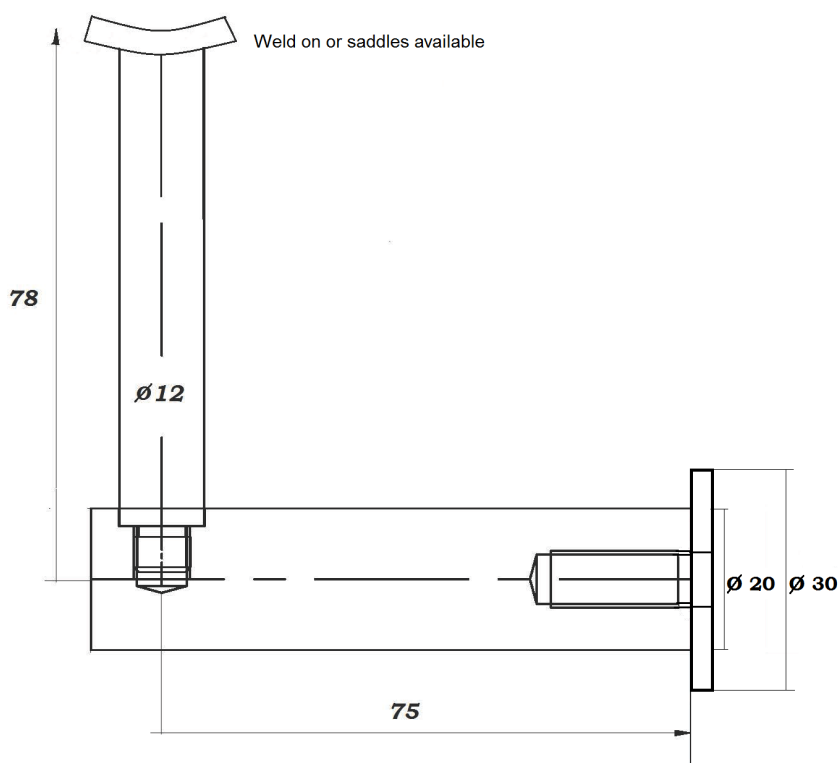
Available in satin and mirror finish

This handrail bracket complies with BIA  
acceptable solutions D1/AS1



### HBR20 Handrail Bracket

- 30mm diameter base flange
- 20mm diameter solid rod
- concealed fixing into wall with lag screw supplied
- 12mm diameter rod upright
- Weld on or saddles available
- Recommended maximum spacing 800mm



Also available without base flange  
See HBR20S - Modena Nil

