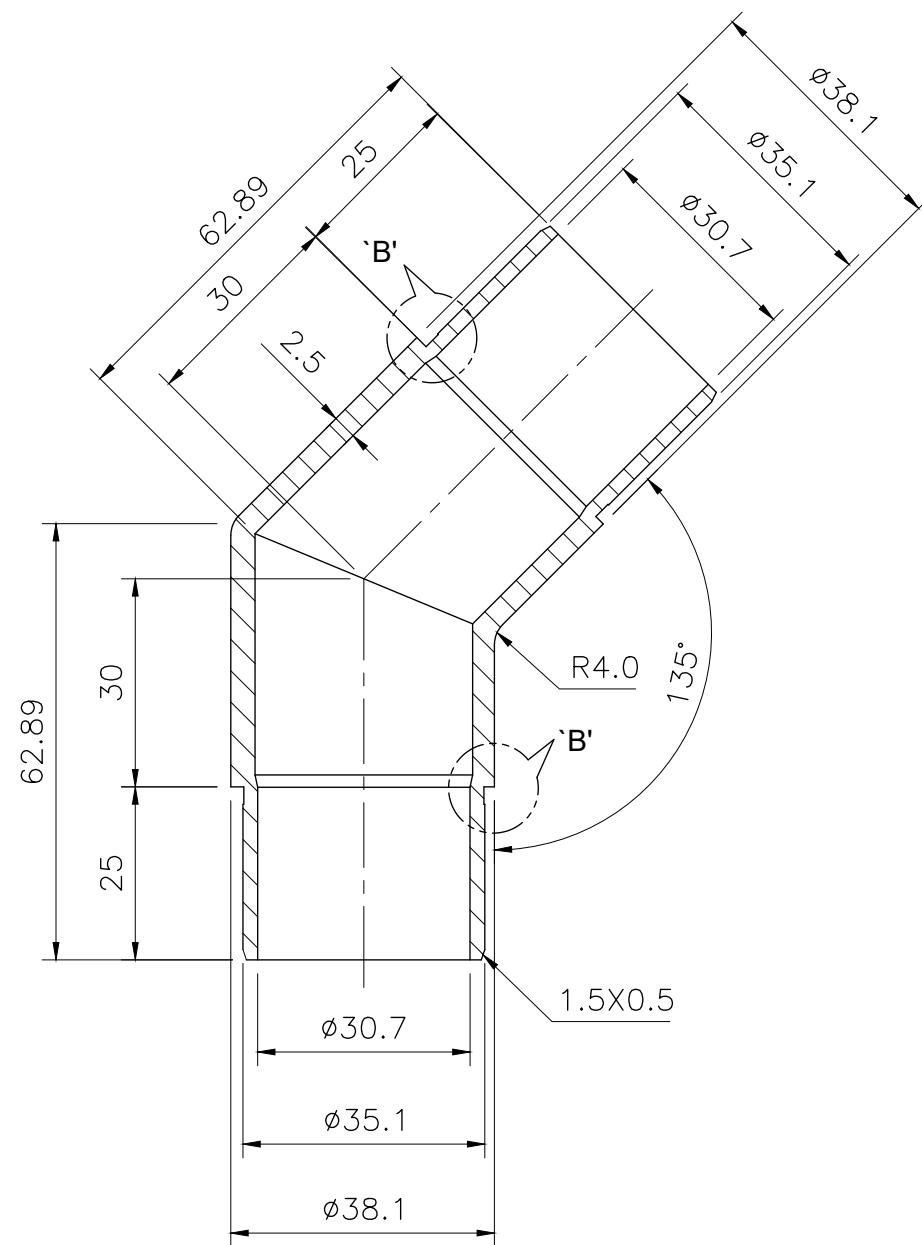


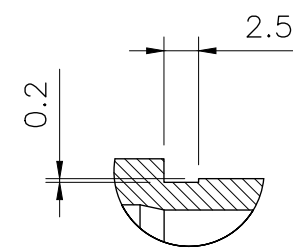
1 2 3 4 5

D
C
B
A

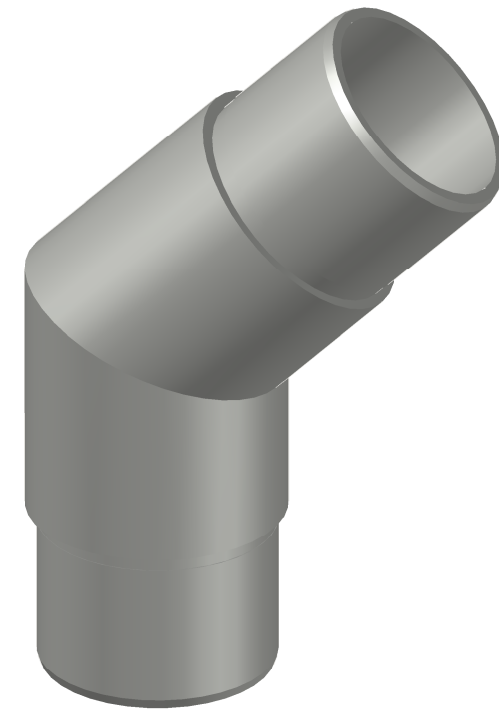
D
C
B
A



ELEVATION



DETAIL B
SCALE - 2:1



ISOMETRIC VIEW



<p>PROPRIETARY AND CONFIDENTIAL</p> <p>THE INFORMATION CONTAINED IN THIS DRAWING IS THE SOLE PROPERTY OF HANDRAIL FITTINGS LTD, NZ. ANY REPRODUCTION IN PART OR AS A WHOLE WITHOUT THE WRITTEN PERMISSION OF HANDRAIL FITTINGS LTD, NZ IS PROHIBITED.</p>		NAME	DATE	TITLE		
	MATERIAL: STAINLESS STEEL	DRAWN	DB	25-05-2020	BEND 45° 38.1MM	
	NOTE: DO NOT SCALE DRAWING	CHECKED	SB	25-05-2020	SIZE	PRODUCT CODE
					A3	Bend 45-38.1
				SCALE: 1:1	WEIGHT:	REV 0
						SHEET: 1 OF 1

1 2 3 4 5