

Base Plate with Cover (optional)
 Product Code: BP105 & CP110

Base plate for fixing post to floor

To fit 50.8mm tube 1.5mm wall

3 fixing holes

AISI 304 and 316 stainless steel options

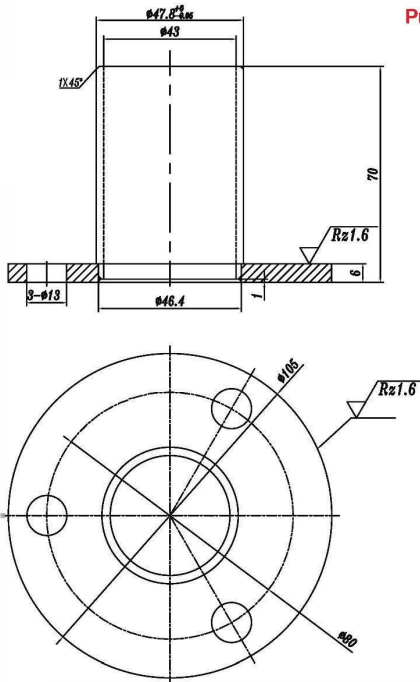
Manufactured to high quality specifications

Available in satin finish



Base Plate BP105 AISI 304

Base Plate with post
 105mm diameter
 Fits 50.8mm tube
 3 fixing holes



Product Code: BP105

**Optional Cover Plate CP110
 AISI 316**

Product Code: CP110
 To Fit Base Plate BP105
 AISI316 Satin

