



Handrail Bracket - Trivoli Glaze
Product Code: HBG50

HBG50 handrail bracket for glass

Weld on or with saddles

AISI 304 stainless steel

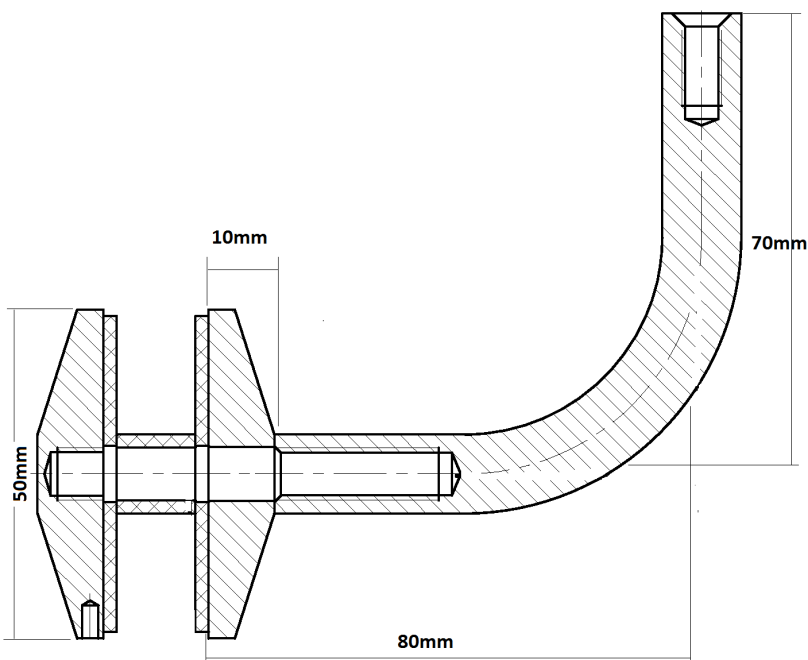
Manufactured to high quality specifications

Available in satin finish

This handrail bracket complies with BIA
acceptable solutions D1/AS1

HBG50 Handrail Bracket for glass

- 50mm diameter tapered buttons
- Solid construction
- Bushes and washers included
- 12mm diameter rod upright
- Weld on or saddles available
- Recommended spacing maximum 1000mm



Available with saddles for flat
or curved tube

