

Handrail Fittings Ltd
0800 HANDRAIL
0800 426372



Handrail Bracket - Quadro
Product Code: HBSQCP

HBSQCP Square handrail bracket
with cover plate

Weld on and Saddles available

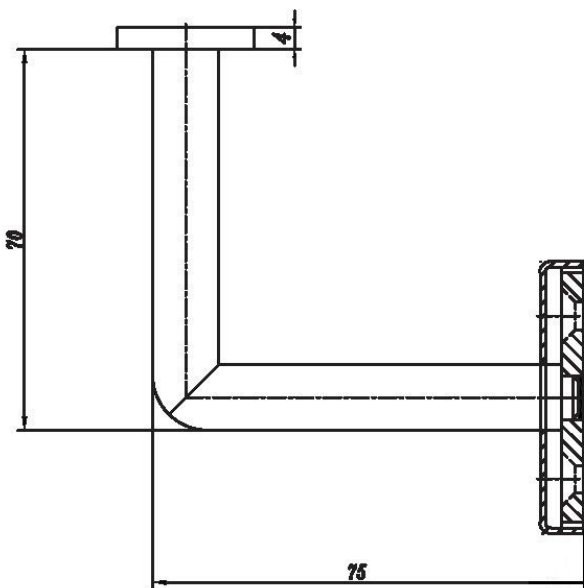
AISI 316 Satin stainless steel

Manufactured to high quality specifications

This handrail bracket complies with BIA
acceptable solutions D1/AS1

HBSQCP Handrail Bracket

- Fixing plate machined from 4mm thick stainless steel
- 4 countersunk holes for easy fixing to wall stud
- Square self fixing cover plate
- Recommended spacing maximum 1000mm



Also available without
saddle for welding onto tube
HBSQCP

