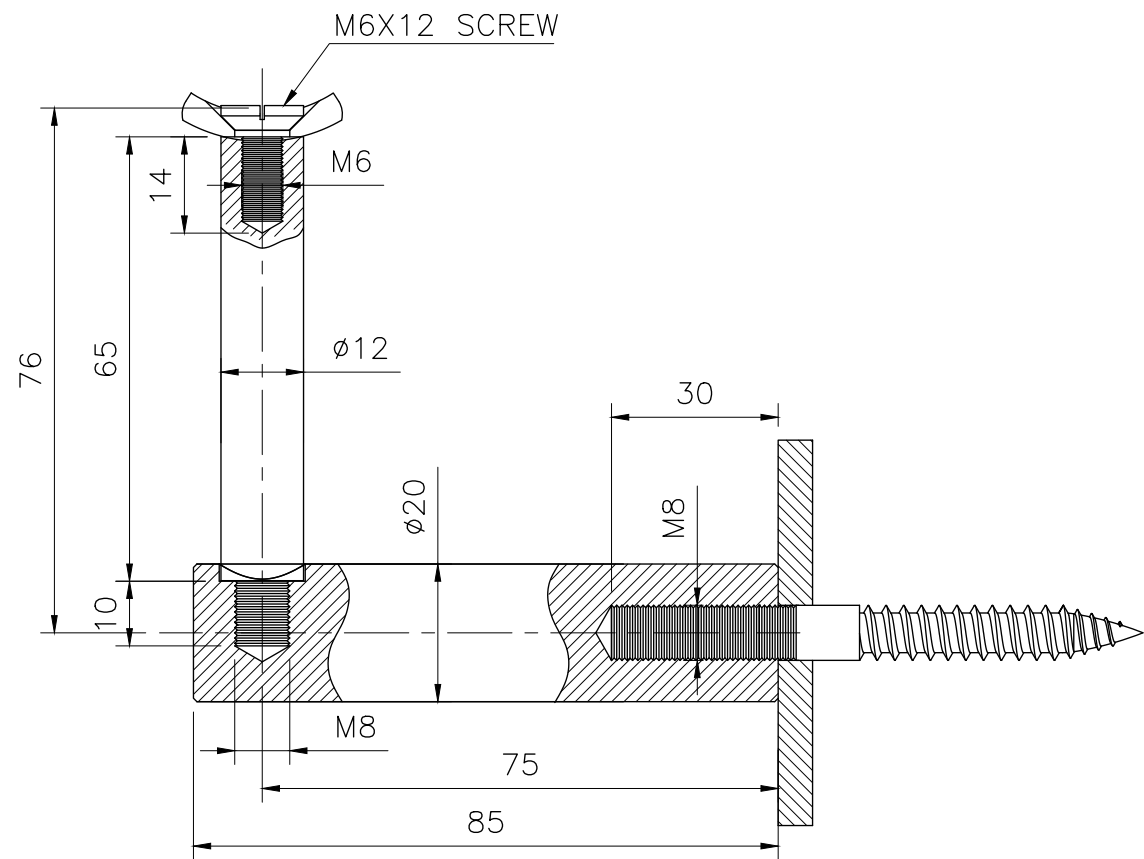
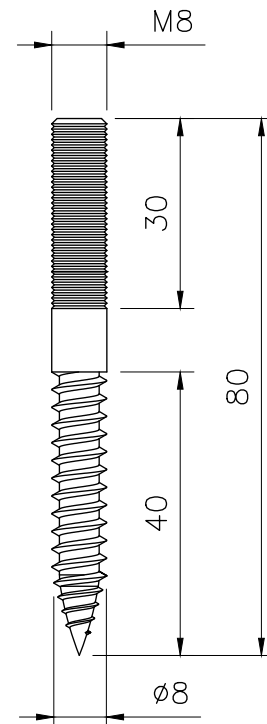


PLAN



ELEVATION



LAG SCREW



ISOMETRIC VIEW



PROPRIETARY AND CONFIDENTIAL  THE INFORMATION CONTAINED IN THIS DRAWING IS THE SOLE PROPERTY OF HANDRAIL FITTINGS LTD, NZ. ANY REPRODUCTION IN PART OR AS A WHOLE WITHOUT THE WRITTEN PERMISSION OF HANDRAIL FITTINGS LTD, NZ IS PROHIBITED.	MATERIAL: STAINLESS STEEL		NAME	DATE	TITLE			
	NOTE: DO NOT SCALE DRAWING		DRAWN	DB	11-07-2020	MODENA GRANDE HANDRAIL BRACKET		
			CHECKED	SB	11-07-2020	SIZE	PRODUCT CODE	REV
						A3	HBR20BS38	0
			SCALE: 1:1		WEIGHT:		SHEET: 1 OF 1	