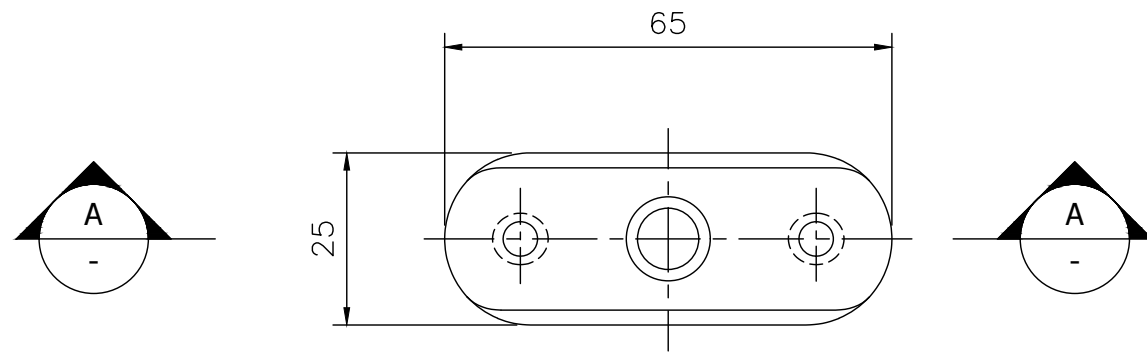


1 2 3 4 5

D
C
B
A

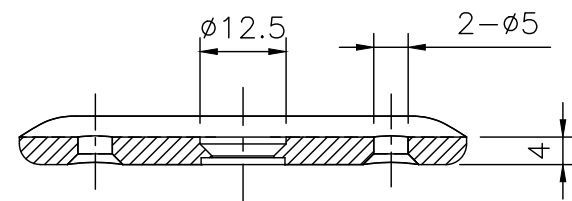
D
C
B
A



PLAN



ISOMETRIC VIEW



SECTION A-A



<p>PROPRIETARY AND CONFIDENTIAL</p> <p>THE INFORMATION CONTAINED IN THIS DRAWING IS THE SOLE PROPERTY OF HANDRAIL FITTINGS LTD, NZ. ANY REPRODUCTION IN PART OR AS A WHOLE WITHOUT THE WRITTEN PERMISSION OF HANDRAIL FITTINGS LTD, NZ IS PROHIBITED.</p>	MATERIAL: STAINLESS STEEL		NAME	DATE	TITLE			
	NOTE: DO NOT SCALE DRAWING		DRAWN	DB	10-08-2016	SADDLE CURVED		
			CHECKED	SB	10-08-2016	SIZE	PRODUCT CODE	REV
						A3	SAD 38.1	0
					SCALE: 1:1	WEIGHT:	SHEET: 1 OF 1	

1 2 3 4 5